

# FRIGIDAIRE GALLERY®

## FG4H2272UF

### FRENCH DOOR REFRIGERATOR

21.8 CU. FT. COUNTER-DEPTH

Smudge-Proof™  
Stainless Steel



AVAILABLE  
COLORS



Stainless

#### PRODUCT DIMENSIONS

Height (Including Hinges & Rollers)	70"
Width (Doors)	36"
Depth (Including Door)	29-5/8"

#### MORE EASY-TO-USE FEATURES

##### TwinTech™ Cooling System

Keeps food fresh by maintaining consistent temperatures in both the refrigerator and freezer.

##### Energy Star® Certified

Maximize your energy and dollar savings with ENERGY STAR®-Certified appliances.

##### PureSource Ultra® II Ice & Water Filtration

Remove 99.3% of lead and 99.9% of cysts from your household water with a genuine water filter.

##### PureAir Ultra® II Air Filter

Our PureAir Ultra® II air filter effortlessly keeps the food in your refrigerator fresh by removing odor particles with fast-acting, highly absorbent carbon technology.

##### Extra-Tall Ice and Water Pocket

Easily fill tall pitchers and sports bottles with a 10-inch exterior ice and water pocket.

##### Bright LED Lighting

Find fresh foods quickly with bright LED Lighting.

##### Smudge-Proof™ Stainless Steel

Resists fingerprints and cleans easily.

##### Get a Built-In Look with Counter-Depth Design

Our Counter-Depth Refrigerator gives you the built-in look without the remodel, saving you 3 more inches of kitchen floor space as compared to our Standard-Depth French Door Refrigerator.

##### Quick Freeze

Quickly freeze foods so they stay at their freshest—set this option before a large grocery run so your food freezes faster once you get home.

#### CERTIFICATIONS

ENERGY STAR®



Star-K® Certified (*Sabbath Mode*)

#### SIGNATURE FEATURES



##### Custom-Flex® Temp Drawer

Can refrigerate or freeze your favorites. Customize your storage space to fit more of your family's favorites, from yogurt to beer to frozen pizza. This middle drawer can be set anywhere from -6° to 45°F, the widest range in temperature settings on the market.



##### SpaceWise® Organization System

Easily access your most-used items with adjustable storage, including a flip-up shelf to fit taller items and an expandable door bin.



##### Auto CrispSeal™ Crisper Drawers

Keep produce fresh, so you waste less food and save more money.



##### OpenAccess™ Door

Makes grabbing your fresh favorites easier. Reach up to 75% of your fresh food by opening just one door.

# FG4H2272UF FRENCH DOOR REFRIGERATOR

21.8 CU. FT. COUNTER-DEPTH

FRIGIDAIRE  
GALLERY

## FEATURES

Door Design	Tall
Door Finish	Smudge-Proof™ Stainless Steel
Door Handle Design	Stainless Steel
Cabinet Finish	Gray Textured
Door Closers	Yes
Door Hinge Covers	Hidden
Rollers - Front/Rear	Adjustable/Yes
Water Filter Location	Top-Right - Fresh Food Section
Sound Package	Quiet Pack

## DISPENSER

Controls	LED Display
Dispenser Design	Flush, Single-Paddle
Number of Dispenser Buttons	15
Crushed Ice/Cube Ice/Water	Yes/Yes/Yes
Cool/Freeze Option	Quick Chill/Quick Freeze
Cold Drink Timer	Yes
Lock Button	Yes
Power Outage/Door Ajar/ High Temp Alarms	Yes/Yes/Yes
Light	Yes
Water Filter Change Indicator Light	Yes
Air Filter Change Indicator Light	Yes

## REFRIGERATOR FEATURES

Lighting	Multi-Level LED
Water Filter Type	PureSource Ultra®II
Air Filter Type	PureAir Ultra®II
Quarter-Width Fixed Shelves	1 Flip-Up
Half-Width Fixed Shelves	1 Slide-Under
Half-Width Adjustable Shelves	2
Cantilever Shelves	Yes
Crisper Drawer/Humidity Controls	2 CrispSeal™ Clear/ Auto-Humidity Control
Dairy Compartment	1 Clear
Fixed Door Bins	1 Clear Gallon/ 3 Clear Dispenser Bins
Gallon Adjustable Door Bins	3 Clear (1 Expandable)
Automatic Ice Maker	Yes
Ice Maker On/Off	Yes

## CUSTOM-FLEX® TEMP DRAWER FEATURES

Self-Closing Pull-Out Drawer	Yes
Adjustable Temperature Range	-6° to 45°F
Drawer Divider	1 Adjustable
Lighting	LED

## FREEZER FEATURES

Self-Closing Pull-Out Drawer	Yes
Sliding Full-Width Freezer Baskets	2 Plastic Drawers
Basket Dividers	1 Adjustable (Bottom Basket)
Lighting	LED

## CERTIFICATIONS

ENERGY STAR®	Yes
Star-K® Certified (Sabbath Mode)	Yes

## SPECIFICATIONS

Total Capacity (Cu. Ft.)	21.8
Refrigerator Capacity (Cu. Ft.)	13.4
Freezer Capacity (Cu. Ft.)	8.4
Power Cord Connection Location	Right Bottom Rear
Water Inlet Connection Location	Left Bottom Rear
Voltage Rating	120V/60Hz
Connected Load (kW rating) @ 120 Volts <sup>1</sup>	1.14
Amps @ 120 Volts	9.5
Minimum Circuit Required (Amps)	15
Shipping Weight (Approx.)	340 Lbs.

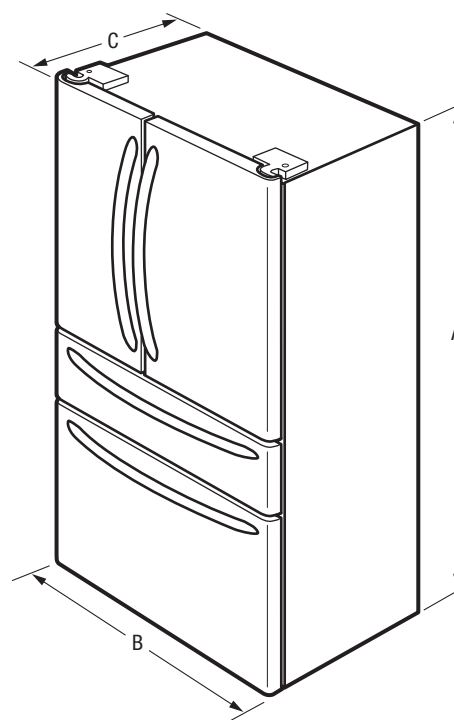
<sup>1</sup>For use on adequately wired 120V, dedicated circuit having 2-wire service with a separate ground wire. Appliance must be grounded for safe operation.

## PRODUCT DIMENSIONS

A - Height (Including Hinges & Rollers)	70"
B - Cabinet Width / Door Width	35-7/8" / 36"
C - Depth (Including Door)	29-5/8"
Depth with Door Open 90°	46-7/8"
Depth with Drawer Fully Extended (Including Handle)	45-1/4"

## "BUILT-IN LOOK" CUTOUT DIMENSIONS

Height (Including Hinges & Rollers)	70-3/8"
Width	36"
Depth	25"



**Note:** For planning purposes only. Always consult local and national electric, gas and plumbing codes. Refer to Product Installation Guide for detailed installation instructions on the web at [frigidaire.com](http://frigidaire.com) / [frigidaire.ca](http://frigidaire.ca). Specifications subject to change. Accessories information available on the web at [frigidaire.com](http://frigidaire.com) / [frigidaire.ca](http://frigidaire.ca)

FRIGIDAIRE

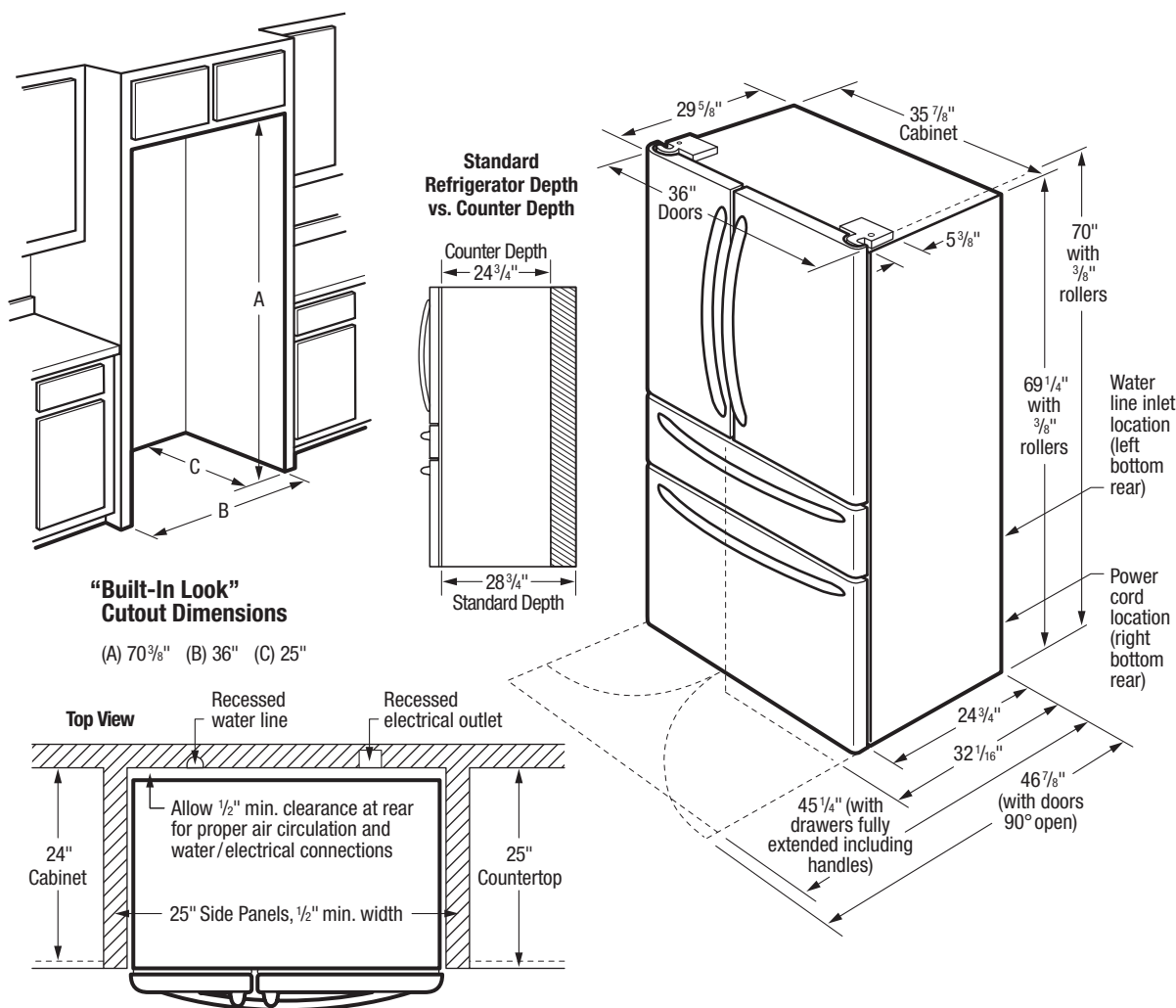
USA • 10200 David Taylor Drive • Charlotte, NC 28262 • 1-800-FRIGIDAIRE • [frigidaire.com](http://frigidaire.com)  
CANADA • 5855 Terry Fox Way • Mississauga, ON L5V 3E4 • 1-800-265-8352 • [frigidaire.ca](http://frigidaire.ca)

FG4H2272U 10/18  
© 2018 Electrolux Home Products, Inc.

# FG4H2272UF FRENCH DOOR REFRIGERATOR

21.8 CU. FT. COUNTER-DEPTH

FRIGIDAIRE  
GALLERY



## INSTALLATION SPECIFICATIONS

- Product Shipping Weight (approx.) - 340 Lbs.
- Voltage Rating - 120V/60 Hz/15 Amps
- Connected Load (kW Rating) @ 120 Volts = 1.14 kW (For use on adequately wired 120V, dedicated circuit having 2-wire service with a separate ground wire. Appliance must be grounded for safe operation.)
- Amps @ 120 Volts = 9.5 Amps
- Always consult local and national electric & plumbing codes.
- Floor should be level surface of hard material, capable of supporting fully loaded refrigerator.
- When installing refrigerator adjacent to wall, cabinet or other appliance that extends beyond front edge of unit, 20" minimum clearance recommended to allow for optimum 120° door swing, providing complete drawer/crisper access and removal. (Absolute 4-1/2" minimum clearance will ONLY allow for 90° door swing which will provide drawer/crisper access with restricted removal.)
- To ensure optimum performance, avoid installing in direct sunlight or close proximity to range, dishwasher or other heat source.

- Recess electrical outlet when possible.
- Water recess on rear wall recommended to prevent water line damage.
- Water Pressure - Cold water line must provide between 30 and 100 pounds per square inch (psi).
- Copper tubing with 1/4" O.D. recommended for water supply line with length equal to distance from rear of unit to household water supply line plus 7 additional feet. Optional Water Supply Installation Kits available.
- Adjustable front rollers to assist with door alignment.

### "BUILT-IN LOOK" SPECIFICATIONS

- Minimum opening of 70-3/8" H x 36" W x 25" D required to allow for ease of installation, proper air circulation, and plumbing/electrical connections.
- Remove all wall/floor molding prior to installation.



FRIGIDAIRE

USA • 10200 David Taylor Drive • Charlotte, NC 28262 • 1-800-FRIGIDAIRE • frigidare.com  
CANADA • 5855 Terry Fox Way • Mississauga, ON L5V 3E4 • 1-800-265-8352 • frigidare.ca

*Note: For planning purposes only. Always consult local and national electric, gas and plumbing codes. Refer to Product Installation Guide for detailed installation instructions on the web at frigidare.com / frigidare.ca. Specifications subject to change. Accessories information available on the web at frigidare.com / frigidare.ca*

FG4H2272U 10/18

© 2018 Electrolux Home Products, Inc.